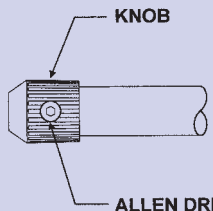


Cablecraft Locking Brake Levers

- Adjustable, over-center locking brake levers. No ratcheting, only “ON” (over-center) or “OFF” positions.
- Easy adjusting knob allows 1.6” of cable to increase or decrease cable tension as needed to compensate for wear or load conditions.
- Load link is fabricated of 4130 alloy steel. Normal operation capacity 1000 lb.
- Ultimate load capacity 3000 lb (non-recurring static load).
- Unless otherwise specified, levers include connecting hardware. Supplied with all required clevis pins, washers and cotter pins needed to attach cable. Bolts to connect lever to vehicle are not provided.

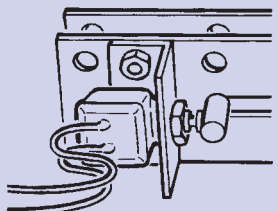
Optional Features

Tamper resistant knob (adjustment limited by Allen-head set-screw).

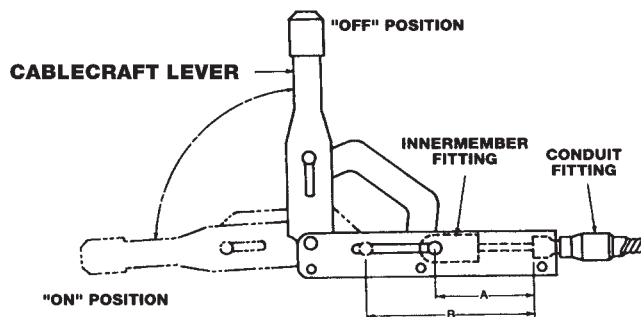


ALLEN DRIVE LOCKING SCREW

Weather resistant safety switch kit (normally closed) for extra security. Part No. B862



Specifications

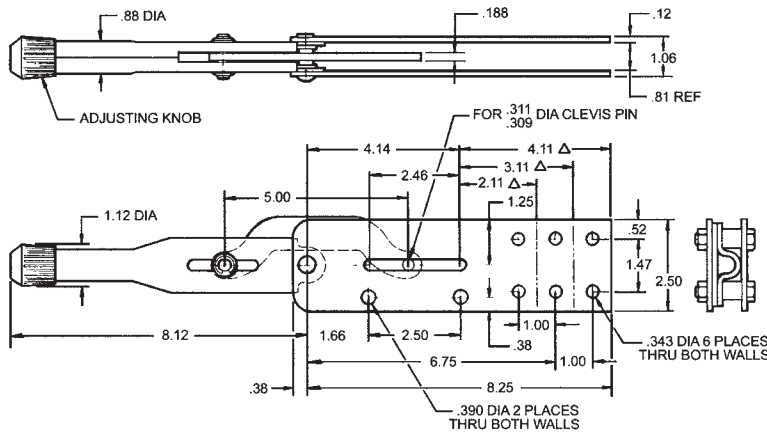


Cablecraft® Lever	Innertype Fitting		Conduit Fitting		Dimension		
	3000 lb	1500 lb	3000 lb	1500 lb	A	B min.	B max.
165-508-008	CS550-2	CS550	073	-	3.23	3.87	5.47
			072	062	3.36	4.00	5.60
165-508-011	CS550-2	CS550	072	062	2.71	3.35	4.95
165-508-023	157-047-002	157-047-000	072	062	2.38	3.02	4.62
165-508-028	CS550-2	CS550	075	065	3.14	3.78	5.35
165-508-010	CS550-2	CS550	073	-	1.70	2.34	3.94
			072	062	1.83	2.47	4.07
165-508-009	CS550-2	CS550	-	-	-	-	-
165-508-078	CS550-2	CS550	073	-	1.70	2.34	3.94
			072	062	1.83	2.47	4.07
165-508-013	157-047-002	157-047-000	073	-	2.27	2.91	4.51
			072	062	2.40	3.04	4.69

- Dimension A is with the lever in full “OFF” position. Use dimension A in calculating cable length.
- Dimension B minimum is with the lever in full “ON” position and adjusted for minimum (CCW) travel. Use dimension B minimum during installation and initial adjustment. Turn knob (CW) to add travel and increase brake pressure setting.
- Dimension B maximum is with the lever in full “ON” position and adjusted for maximum (CW) travel.

Locking Brake Levers

Side Mount 165-508-008

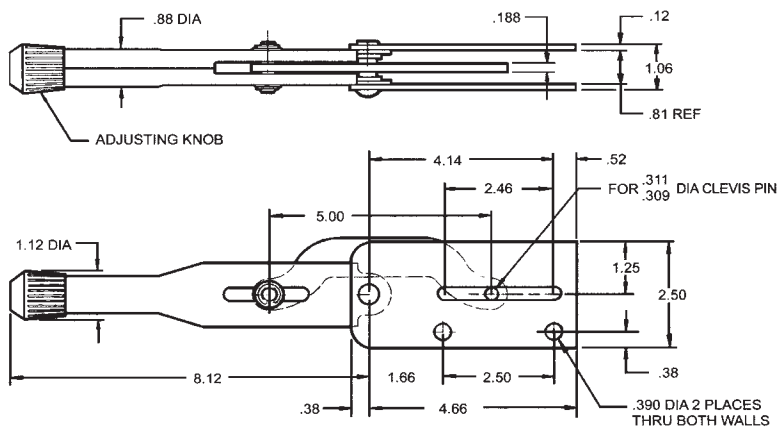


2.5 inches (64mm) wide side plates; one cable, with three alternate sets of cable clamp holes. For cowl, instrument panel, seat riser or frame installation.

Kit B815 — supplied with the following hardware:

- Clevis Pin
- Cotter Pin
- Washer
- Mounting Spacers (2)
- Cable Clamp
- Clamp Base
- Clamp Spacers (2)

Side Mount 165-508-009

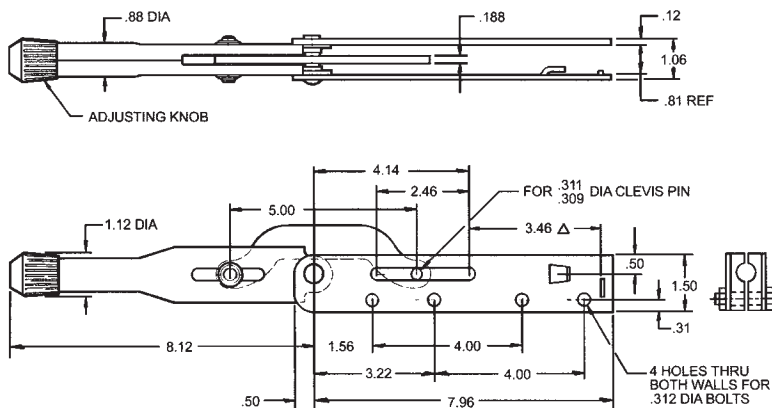


2.5 inches (64mm) wide side plates; one cable. For cowl, instrument panel, seat riser or frame installation. No cable support.

Kit B816 — supplied with the following hardware:

- Clevis Pin
- Cotter Pin
- Washer
- Mounting Spacers (2)

Side Mount 165-508-011



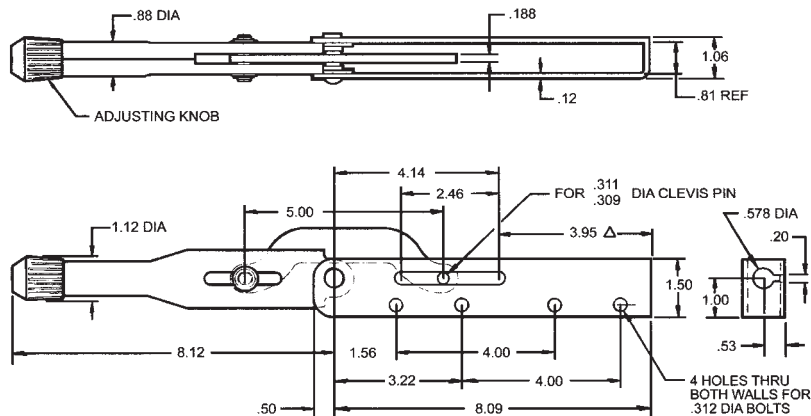
1.5 inches (38mm) wide side plates; one cable. For cowl, instrument panel, seat riser or frame installation.

Kit B834 — supplied with the following hardware:

- Clevis Pin
- Cotter Pin
- Washer
- Mounting Spacers (2)
- Cable Clamp

Locking Brake Levers

Side Mount 165-508-028

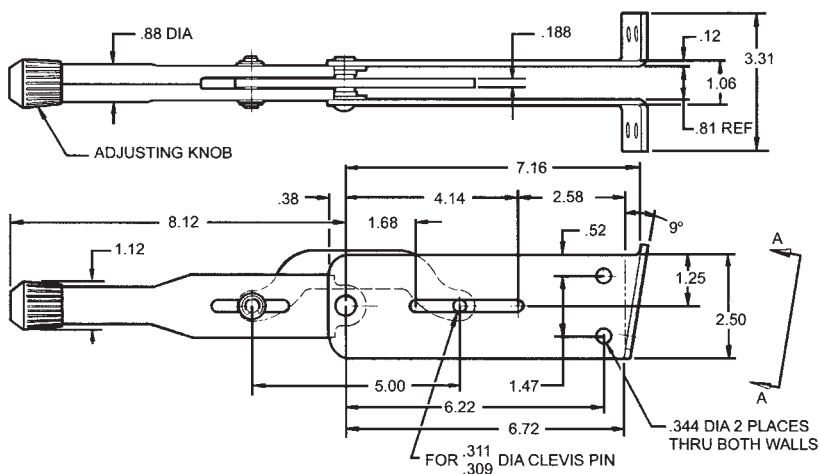


1.5 inches wide side plates; one cable. For cowl, instrument panel, seat riser or frame installation.

Kit B837 — supplied with the following hardware:

- Clevis Pin
- Cotter Pin
- Washer
- Mounting Spacers (2)
- Cable Clamp
- Clamp Spacers (2)

Flange Mount-Rigid 165-508-010

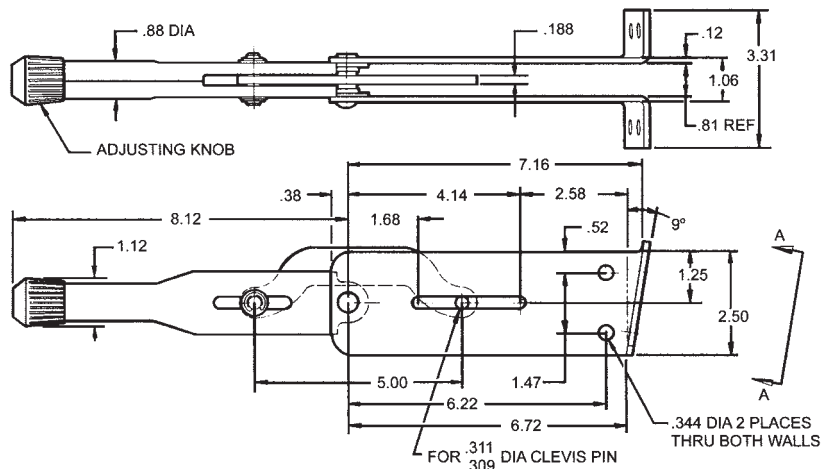


2.5 inches (64mm) wide side plates; one cable. For bulk-head floor or island (doghouse) installation. The rigid frame maintains alignment of clevis pin guide slots for improved life of both the pin and side plates.

Kit B817 — supplied with the following hardware:

- Clevis Pin
- Cotter Pin
- Washer
- Cable Clamp
- Clamp Base
- 5/16-24 Bolts (2) Nuts(2)

Flange Mount 165-508-078



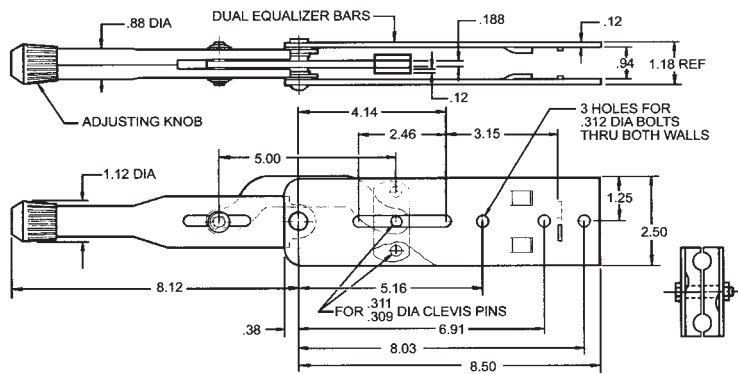
2.5 inches (64mm) wide side plates; one cable. For bulk-head floor or island (doghouse) installation. Angle wing flange mounting.

Kit B838 — supplied with the following hardware:

- Clevis Pin
- Cotter Pin
- Washer
- Cable Clamp
- Clamp Base
- 5/16-24 Bolts (2) Nuts(2)

Locking Brake Levers

Side Mount 165-508-013

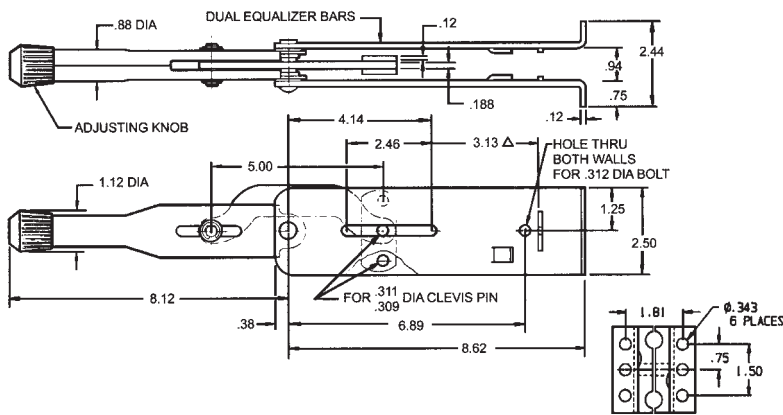


2.5 inches (64mm) wide side plates; two cables. For cowl, instrument panel, seat riser or frame installation. NOTE: When considering load requirements, the load on the lever assembly will be the sum of the load in each cable.

Kit B835 — supplied with the following hardware:

- Clevis Pins (2)
- Cotter Pins (2)
- Washers (2)
- Mounting Spacers (2)
- Cable Clamps

Flange Mount-Rigid 165-508-023



2.5 inches (64mm) wide side plates; two cables. For bulkhead, floor or island (doghouse) installation. NOTE: When considering load requirements, the load on the lever assembly will be the sum of the load in each cable. Wing flange mounting.

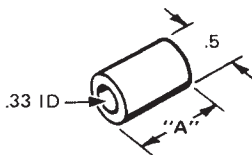
Kit B835 — supplied with the following hardware:

- Clevis Pins (2)
- Cotter Pins (2)
- Washers (2)
- Mounting Spacers (2)
- Cable Clamps

Accessories

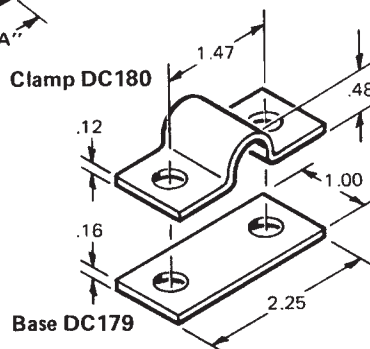
Spacers

Part No.	"A"
DG 604-1	0.81
DG 604-2	0.57
DG 609	0.53

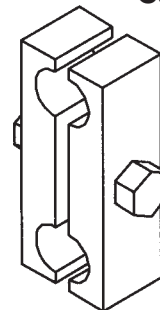


Clamp and Base

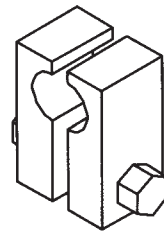
C908 kit includes:
1 ea. DC 179-1 base
1 ea. DC 180 clamp



Cable Clamps



190-852-001
Double



190-852-002
Single